



LMM Alternate Cam Firing Order Wiring Instructions

Factory Firing Order: 1-2-7-8-4-5-6-3

Alternate Cam Firing Order: 1-5-6-3-4-2-7-8

Injector Command Wires for Injectors 2, 5, 7, 6, 8, & 3

(Need Switched on the Engine Side at the Engine Harness to Chassis Harness Connector)

Connectors Before: (Stock)

X107 Connector (40 pin Connector)

<u>Pin #</u>	<u>Cylinder</u>	<u>Wire Color</u>
7	6	Yellow / Black
34	7	Orange / Black

X108 Connector (40 pin Connector)

<u>Pin#</u>	<u>Cylinder</u>	<u>Wire Color</u>
6	3	Pink / Black
7	2	Light Green / Black
34	5	Tan / White
35	8	Dark Blue / White

Connectors After: (Alternate Cam)

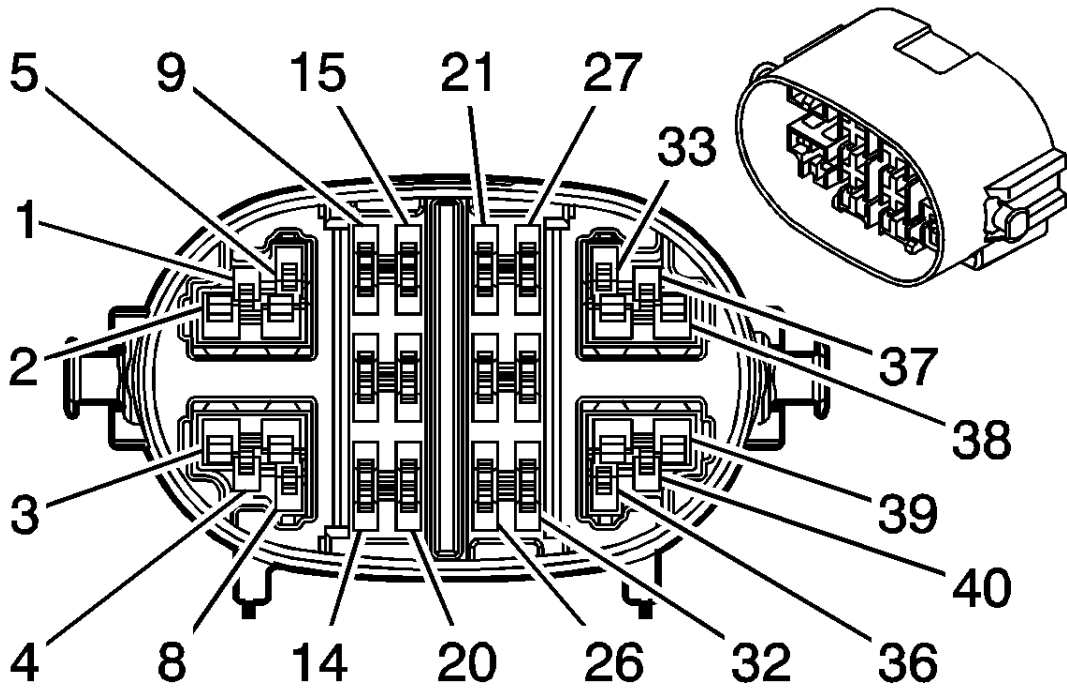
X107 Connector (40 pin Connector)

<u>Pin#</u>	<u>Cylinder</u>	<u>Wire Color</u>
7	7	Orange / Black
34	6	Yellow / Black

X108 Connector (40 pin Connector)

<u>Pin#</u>	<u>Cylinder</u>	<u>Wire Color</u>
6	8	Dark Blue / White
7	5	Tan / White
34	2	Light Green / Black
35	3	Pink / Black

X107 Connector



X108 Connector

